



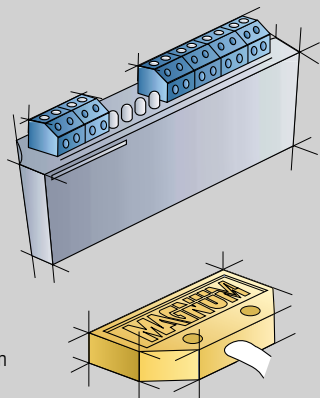
Low Power Control Monitor for use in Division 2, Nonincendive Hazardous Areas

Quantum™ Nonincendive

Quantum units meeting Class I, Groups A, B, C, & D, and Class II, Groups F & G, Division 2 non-incendive requirements are available in engineered resin or aluminum enclosures. Provided with two high current, hermetically sealed Magnum™ proximity sensors and a wide range of integrated Falcon™ solenoid valves in both three-way and four-way configurations, the Quantum™ carries Factory Mutual and Canadian Standards Association certifications. Falcon solenoid valves are available in a variety of coil voltages and body materials with stainless steel internals as standard. Cv. values range from .5 to 3.5.



Standard Sensor Options



ATTENTION
Magnum and Proximity Sensors Only
For low power ($P \leq 240$ mW) and/or high DI card capacitance ($C \geq 0.01$ mfd.) applications refer to the Reference Section Bulletin No. WD-13.02 or specify the MagPAC sensor module.

MagPac™ Modular Sensors

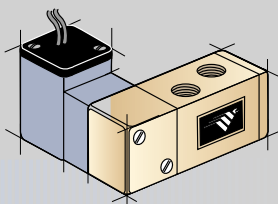
Bifurcated Reed Proximity Sensor, SPST • FM, CSA (Hermetically Sealed)

mA	VAC	VDC
2-750	120	120
2-750		24

MAGNUM™ Proximity Sensors

High Current Proximity Sensor, SPST/SPDT Form C • UL, CSA (Hermetically Sealed)

Rhodium			Tungsten (SPDT Only)		
Amps	VAC	VDC	Amps	VAC	VDC
0.295	120		3	120	
0.15	240		1.5	240	
1		24	2		24



COIL POWER SUPPLY

	COILS			
Operating Voltage	24 VDC	120 VAC	125 VDC	220 VAC
Wattage	0.5 Watts	4 Watts	0.85 Watts	4 Watts
Operating Current	20 mA	29.5 mA	6.76 mA	19 mA
Coil Resistance	1200 Ohms	610 Ohms	18500 Ohms	2200 Ohms

Quantum™ Nonincendive

AREA CLASSIFICATIONS

NEMA 4, 4x, Nonincendive
Class I, Division 2, Groups A, B, C, D
Class II, Division 2, Groups F, G

ORDERING GUIDE



(FALCON™ SOLENOID)

COILS	CV	Body	3-Way	4-Way
FSO 24 VDC 0.5 watts	.5 Cv	Brass	2200	2600
		Alum.	3200	3600
		303 S.S.	4200	4600
FAO 120 VAC 4.0 watts	1.2 Cv	316 S.S.	5200	5600
		Brass	2300	2700
		Alum.	3300	3700
FVO 125 VDC 0.85 watts	1.2 Cv	303 SS	4300	4700
		316 S.S.	5300	5700
		Alum.	3400	3800
FHO 220 VAC 4.0 watts	3.5 Cv	Alum.	3400	3800
		303 S.S.*	4400	4800

OPTIONAL FEATURES (See BULLETIN NO. Q-18.02)

* Available in 789A Series Only

DIMENSIONS (inches/mm)

Model 789A

Model 765 Dimensions (BULLETIN NO. Q-10.02)

Solenoid Valve	Dimensions				
	A	B (3-WAY)	C (4-WAY)	D	E
.3 & .5 Cv	1.50	3.31	4.06	1.13	2.62
1.2 Cv	2.00	4.50	5.50	1.38	2.87
3.5 Cv	2.75	5.25	6.56	1.88	3.28

Note: Operating pressure: 45 -120psi

ORDERING GUIDE

QUANTUM™ LP	BEACON™	3-WAY BEACON™	SENSOR	SOLENOID (Falcon™)
765 Engineered Resin 	STANDARD (Black & Yellow) BY 	90° Rotation B1 	Magnum (SPDT Tungsten) 2M6	Use above listing for ordering solenoid
	ANSI GREEN (Liquid-Low Hazard) AG 	90° Rotation B3 	Magnum (SPST Rhodium) 2M10	
	ANSI BLUE (Gas-Low Hazard) AB 	90° Rotation B5 	Magnum (SPDT Rhodium) 2M12	
789A Aluminum 	ANSI RED (Fire Quenching) AR 	180° Rotation B7 	MagPAC 2 (SPST) Module w/ LED indication M13	
		180° Rotation B9 		

NOTE: Model 765 Max. 3 Switches. To use 4 Switches consult factory.

Ordering Example: Quantum LP Nonincendive, resin enclosure with standard black & yellow Beacon, 2 Magnum Sensors and Falcon 24 VDC/0.5 watts, .5 Cv, brass, 3-Way solenoid valve. 765-BY-2M6-FSO2200